



Application

The PIG system is ideal for the recovery of any product remaining in a pipeline in the end of the transfer process. As this product can be of a high value the PIG system recovers the product removing it from the pipelines and preparing the pipeline for a CIP process. Another benefit is the reduction of the fluid sent to the sewage treatment plant that results in saving energy and water.

The main application of the system is viscous media. Among the products treated there are gels, creams, ointments, emulsions and other products of high value in the pharmaceutical or cosmetic industry.

Operating principle

The STERIPIG system offers a completely hygienic product recovering solution because no component enters or leaves the installation. The sphere is positioned by external magnet. During the CIP process, when the flow rate is sufficient, the sphere gets free inside the launcher or receiver avoiding any dead leg zones between the pipeline and the sphere.

The system includes a launcher, a receiver, a PIG (a sphere), two position detectors (one for the launcher and the other for the receiver), four automatic butterfly valves and two KH three way valves.

The process starts locating the sphere in the launching position. Then the sphere is driven by a propellant (normally compressed air) down the pipeline to the receiver recovering any product left in the pipeline. When recovery is complete, the PIG is situated at the receiver and all the installation can be cleaned by CIP, the PIG can also be cleaned during the CIP routine. The CIP process is finished, the sphere is placed again into the launcher leaving the plant ready for the next production process.

Design and features

PIG can pass through 1.5D bends.

Connections: Clamp OD (standard).

Size ranges: From 1 1/2" (DN 40) to 3" (DN 80).

Hygienic design according to the EHEDG specifications.

Materials

Metal parts in contact with the product

AISI 316L

Other metal parts

AISI 304

PIG

Silicone

Gasket (standard)

EPDM according to FDA 177.2600

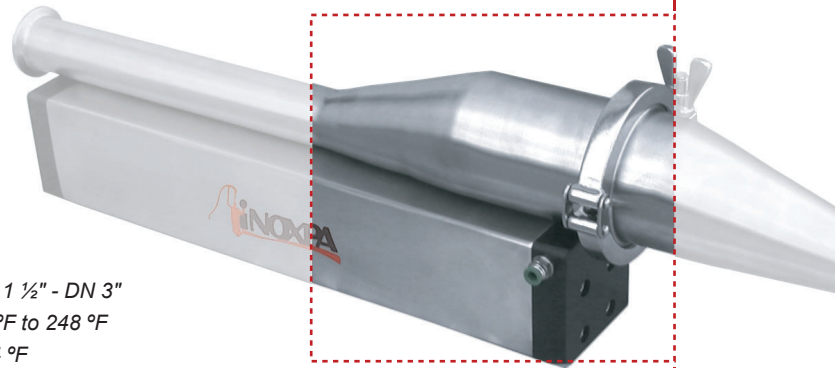
Internal surface finish

Ra ≤ 0,5 μm



I Options

Connections: DIN, RJT, SMS, etc.
 Spheres: EPDM and Viton®.
 Gaskets: Silicone, PTFE, Viton®.
 Various levels of automation.
 Control panel.



I Technical specifications

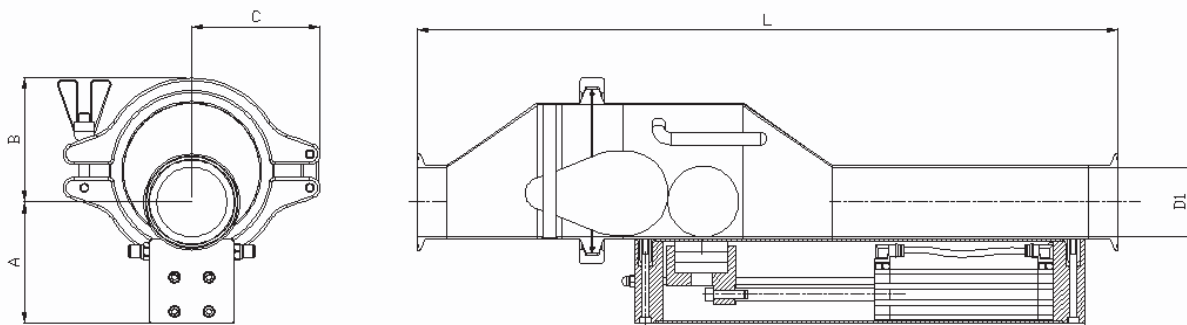
Available sizes	DN 40 - DN 80	DN 1 ½" - DN 3"
Working temperature*	-10 °C to +120 °C (EPDM) +140 °C (SIP, max. 30 min)	14 °F to 248 °F 284 °F
Max. working pressure	10 bar	145 PSI
Compressed air pressure	5-7 bar	72-101 PSI
Indicators, switches and solenoids	24 V DC	

*Maximum temperature depending on the sphere material, gasket material and type of application.

I Benefits / Advantages

Non dead legs.
 Production downtime reduced.
 Raw material loss reduced.
 Recovery of up to 98% of the product.
 Effluent reduced.
 CIP cleaning time, water consumption and quantity of chemical products reduced.
 Non intrusive, totally sealed system during the production process.

I Dimensions



DN	D1	A	B	C	L
40	38	102	81	75	638
50	50	108	91	83	574
65	66	116	117	120	661
80	81	123	115	120	663

DN	D1	A	B	C	L
1 ½"	34,8	100	72	69	640
2"	47,5	106	92	83	586
2 ½"	60,2	113	120	120	661
3"	72,9	119	120	120	673

